

**GROUP 500
AUTOMATIC
CONTROL
VALVES MOD.
504A/101**



**DAVINCI
VALVES™**

**TECHNICAL
DATA SHEET
WATER Series**

**AIR RELIEF VALVES
HIGH SPEED CLOSE 2"**

**DAVINCI
VALVES™**



**QUALITY
ASSUREMENT**

**DAVINCI
VALVES™**



**PRODUCT QT
ASSUREMENT**

**DAVINCI
VALVES™**



**COMPANY QT
ASSUREMENT**

www.davincivalves.com

18 Dongyu Street, Square One,
11th Floor 1101, Jinjiang District,
Chengdu, Sichuan CHINA

10F/Tower A, Billion Center,
1 Wang Kwong Road, Kowloon Bay
Kowloon HONG KONG

SS HIGH SPEED AIR VENTING VALVE PN40 2" ref.504A / THREAD END / FLANGE PN 10-16-ANSI150#

APPLICATION:

Water distribution and pumping, irrigation,
Industry

STANDARDS:

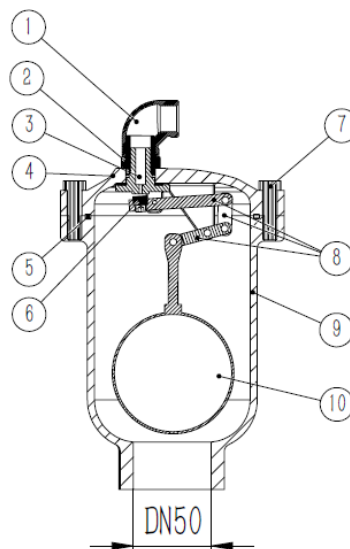
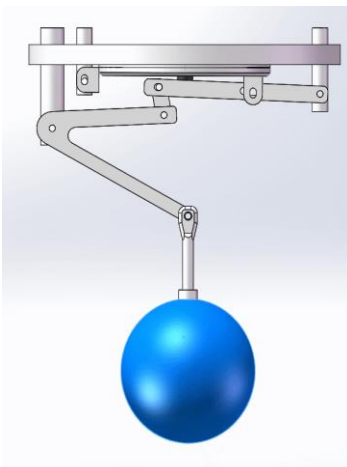
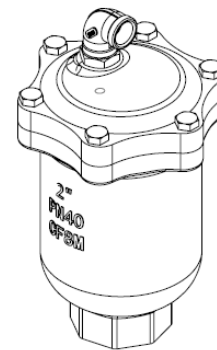
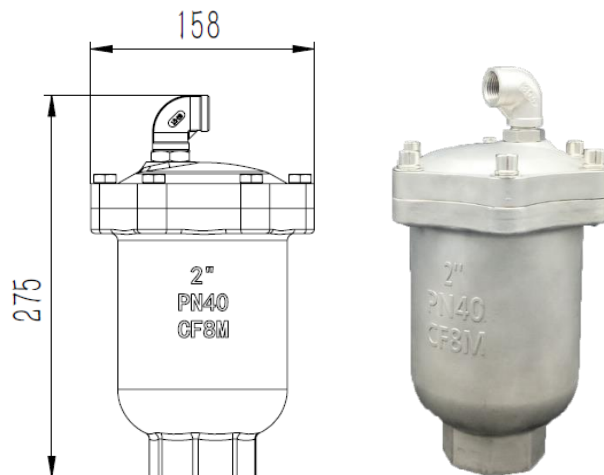
Hydrostatic test according to EN 12266-1, class A.
EC directive
Thread end GAS /NPT

WORKING CONDITIONS:

Pressure Ratings: 1.0Mpa; 1.6Mpa 2.5 Mpa 4.0 Mpa
Working Temperature: -10C +100C
Suitable Media: Water
Consult Factory for other applications

GENERAL CHARACTERISTICS:

Range 2" , With Flange ND40/50/60/65 & ND080/100
Epoxy paint cured 250 microns



Nº	ITEM	MATERIAL
1	ELBOW	SS304
2	LINKER	SS304
3	NOZZLE	SS304
4	CAP	CF8M
5	GASKET	NBR
6	NOZZLE GASKET	NBR
7	NUT	SS304
	LINKAGE	
8	MECHANISM	SS304
9	BODY	CF8M
10	FLOAT	SS304

All the components can be substituted with equivalent or higher-class materials.

DAVINCI VALVES LTD, is constantly looking at all ways of improving our products and services related to the water, fire and industry sector and therefore we reserve the right to change, without prior notice, any of the data contained here. Please contact our Technical Sales Department for detailed advice.
© 2018 DAVINCI VALVES LTD.

www.davincivalves.com info@davincivalves.com +34 616553797 / +86 17340168233
18 Dongyu Street, Square One 11th Floor 1101. Jinjiang District, Chengdu, Sichuan Province, China

"For professionals who wants more"



DAVINCI
VALVES™

www.davincivalves.com