

## FLAP VALVE FLANGED END

Ref.470B/ PN 10-16

### WORKING CONDITIONS:

Pressure Ratings: 1.0Mpa; 1.6Mpa  
Working Temperature: -10C-80C  
Flow Media: Clean Water

### GENERAL FEATURES:

Low cost installation  
Closure metal/Epdm

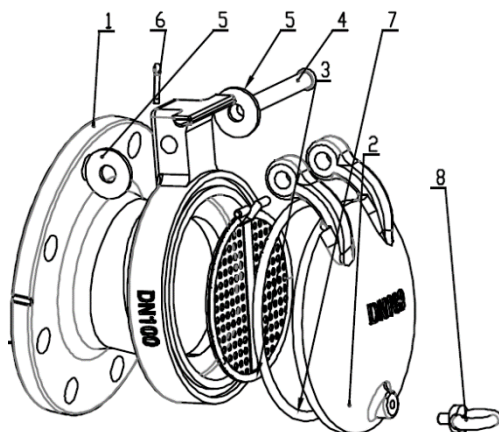


### STANDARDS:

Size Range: DN50-300mm  
End Connections: PN10, PN16.  
Comply with EN 558-1, ISO 5752  
and EN 1092-2, ISO 7005-2 flange dimension.

ITEM	PART	MATERIAL
1	Body	GJS500
2	Bonnet	GJS500
3	Screen	SS304
4	Pin	SS304
5	Gasket	SS304
6	Cotter	SS304
7	Rubber Ring	EPDM
8	Ring M8	WCB

TECHNICAL DATA SHEET



*All the components can be substituted with equivalent or higher-class materials.*

DAVINCI VALVES LTD, is constantly looking at all ways of improving our products and services related to the water, fire and industry sector and therefore we reserve the right to change, without prior notice, any of the data contained here. Please contact our Technical Sales Department for detailed advice.  
© 2018 DAVINCI VALVES LTD.

www.davincivalves.com info@davincivalves.com +34 616553797 / +86 17340168233  
18 Dongyu Street, Square One 11th Floor 1101. Jinjiang District, Chengdu, Sichuan Province, China