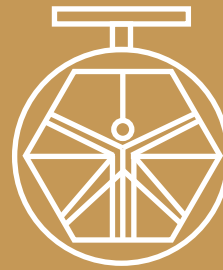


**GROUP 600  
ACCESSORIES  
MOD.  
611A/80**



**DAVINCI  
VALVES™**

**TECHNICAL  
DATA SHEET  
WATER Series**

**COUPLING FOR PVC/PE/HDPE PIPES**

**DAVINCI  
VALVES™**



**QUALITY  
ASSUREMENT**

**DAVINCI  
VALVES™**



**PRODUCT QT  
ASSUREMENT**

**DAVINCI  
VALVES™**



**COMPANY QT  
ASSUREMENT**

[www.davincivalves.com](http://www.davincivalves.com)

18 Dongyu Street, Square One,  
11th Floor 1101, Jinjiang District,  
Chengdu, Sichuan CHINA

10F/Tower A, Billion Center,  
1 Wang Kwong Road, Kowloon Bay  
Kowloon HONG KONG

## RESTRAINED COUPLING FOR PVC/PE/HDPE/UPVC

Ref.611A / PN 16

### APPLICATION:

Water, HVAC installations, irrigation, industry, others

### WORKING CONDITIONS:

Working Temperature:

- 10 °C - + 120 °C. for EPDM

- 10 °C - + 82 °C. for NBR

### GENERAL CHARACTERISTICS:

Size DN50 to DN300,

Connection for HDPE

Angular deflection +3°

working pressure PN10/PN16

Powder Epoxy Cured coating 250 Mic

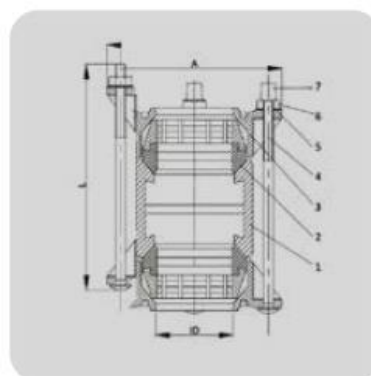
### STANDARDS:

Comply with EN545/12842

Coating Standard EN30677

Pressure Test: EN 12266-1.

Flange EN1092-2 PN10/PN16



Sr.No.	Name	Material
1	Center Sleeve	Carbon steel
2	End ring	Ductile Iron
3	Gasket	EPDM/NBR
4	Bolt	Dacromet coated steel
5	Washer	Dacromet coated steel
6	Nut	Dacromet coated steel
7	Cap	Plastic

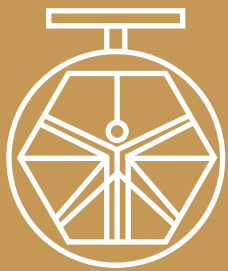
OD	ID	A	Bolt
50	54,7	160	M12*2
63	65	165	M12*4
75	79	177	M12*4
90	94,5	193	M12*4
110	114,5	214	M12*4
125	128	229	M12*4
140	145	245	M12*4
160	164,5	272	M12*4
180	184	285	M12*4
200	205	314	M12*4
225	230	332	M16*4
250	255	365	M16*6
280	287	377	M16*6
315	320	431	M16*6

All the components can be substituted with equivalent or higher-class materials.

DAVINCI VALVES LTD, is constantly looking at all ways of improving our products and services related to the water, fire and industry sector and therefore we reserve the right to change, without prior notice, any of the data contained here. Please contact our Technical Sales Department for detailed advice.  
© 2018 DAVINCI VALVES LTD.

www.davincivalves.com info@davincivalves.com +34 616553797 / +86 17340168233  
18 Dongyu Street, Square One 11th Floor 1101. Jinjiang District, Chengdu, Sichuan Province, China

*"For professionals who wants more"*



DAVINCI  
VALVES™

[www.davincivalves.com](http://www.davincivalves.com)