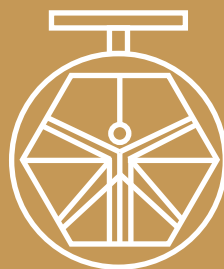


**GROUP 400
CHECK
VALVES
MOD. 450/27**



**DAVINCI
VALVES™**

**TECHNICAL
DATA SHEET**

WATER Series

**TILTING BUTTERFLY CHECK VALVES
FLANGED ENDS**

**DAVINCI
VALVES™**



**QUALITY
ASSUREMENT**

**DAVINCI
VALVES™**



**PRODUCT QT
ASSUREMENT**

**DAVINCI
VALVES™**



**COMPANY QT
ASSUREMENT**

www.davincivalves.com

18 Dongyu Street, Square One,
11th Floor 1101, Jinjiang District,
Chengdu, Sichuan CHINA

10F/Tower A, Billion Center,
1 Wang Kwong Road, Kowloon Bay
Kowloon HONG KONG

TILTING BUTTERFLY CHECK VALVE

Ref.450 / PN 10-16

APPLICATION:

Water and sewage hydraulic installations, heating.

STANDARDS:

Manufacture according to ISO 9001 2008.

Face to Face : EN 558-1 Series 14

Mounting with flanges : PN10 / PN16 EN 1092-2.

Pressure Test: EN 12266-1 Rate A.

Body : 24 bar. Asiento / Seat : 17,6 bar.

pressure: Cat. III mod. H.

GENERAL CHARACTERISTICS:

Perfect adherence between the rubber joint lodged in the periphery of the disc and the seat of the stainless steel body provides total watertightness.

Long lasting closing joint. During manouvers there is no drag of the seal against the body, making contact with metal parts only in the last phase of closing.

Closing action is faster.

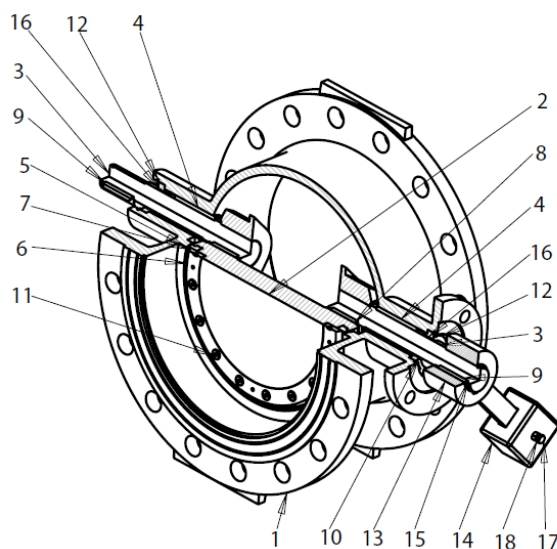
Considerable reduction of torque.

EPDM ring can be replaced without dismounting the valve.

"O" rings can be replaced without dismounting the valve.

Installation in horizontal position.

We may include hydraulic dampers for a slower closing.



WORKING CONDITIONS:

Maximum Working Pressure : 16 bar.

Metal Seat Working Temperature : - 10 °C / + 120 °C .

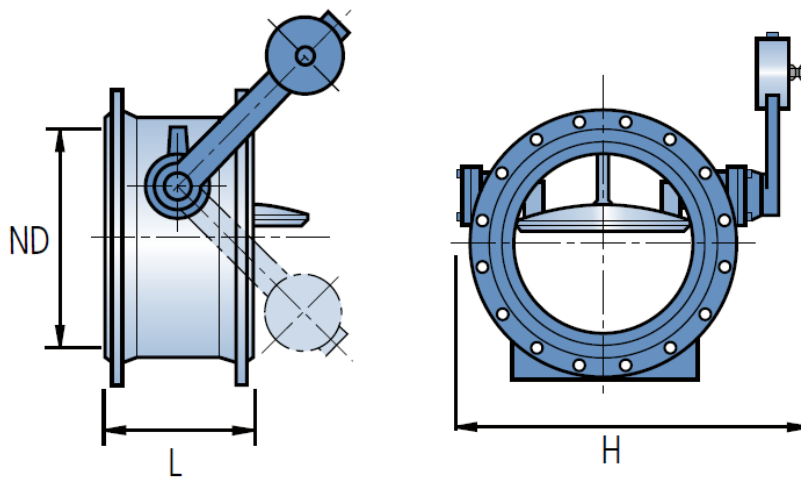
MATERIALS		
1	BODY	DUCTILE IRON GGG50
2	DISC	DUCTILE IRON GGG50 - S.S. AISI 316
3	STEM	S.S. 420
4	BEARING	BRONZE
5	SEALING RING	S.S. 316L (WELD)
6	RING	NBR / EPDM
7	SEAL RING	S.S. 420
8	DISC RING	S.S. X20Cr13
9	PIN STEM	S.S. X20Cr13
10	CLOSING SLEEVE	S.S. 304
11	SCREWS	S. STEEL
12	CIRCLIP	S.S. X20Cr13
13	ARM	DUCTILE IRON GGG50
14	WEIGHT	DUCTILE IRON GG25
15	JOINT	NBR / EPDM
16	"O" RING	NBR / EPDM
17	SCREWS	STEEL
18	NUT	STEEL

All the components can be substituted with equivalent or higher-class materials.

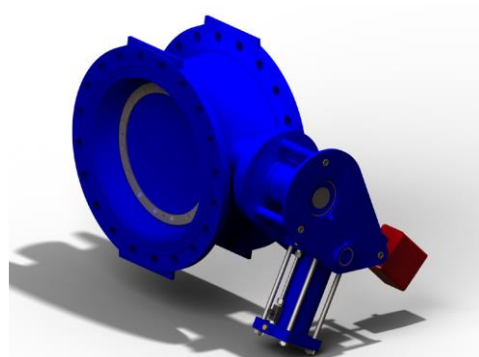
DAVINCI VALVES LTD, is constantly looking at all ways of improving our products and services related to the water, fire and industry sector and therefore we reserve the right to change, without prior notice, any of the data contained here. Please contact our Technical Sales Department for detailed advice.
© 2018 DAVINCI VALVES LTD.

TILTING BUTTERFLY CHECK VALVE

Ref.450 / PN 10-16



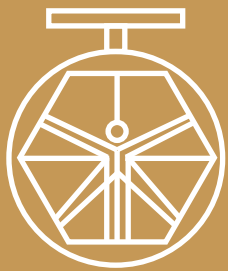
ND	L	Kgs.		Kgs.		Kgs.	
		NP16	NP16	NP25	NP25	NP40	NP40
200	230	500	49	429	65	535	80
250	250	565	70	580	90	630	115
300	270	640	95	639	125	695	150
350	290	760	115	754	150	820	185
400	310	820	165	828	215	900	260
450	330	880	200	851	255	925	315
500	350	955	260	989	340	1075	420
600	390	1160	425	1150	555	1250	680
700	430	1270	580	1302	760	1415	930
800	470	1445	810	1435	1060	1560	1300
900	510	1545	1000	1647	1280	1790	1570
1000	550	1795	1310	1748	1700	1900	2100
1100	590	1895	1640	1895	2130	2060	2620
1200	630	2075	1800	2029	2350	2205	2890
1400	710	2315	2580	2314	3360	2515	4130
1500	750	2540	3280	2548	4260	2770	5250
1600	790	2790	4060	2654	5280	2885	6500
1800	870	2990	6150	2950	7995	3135	9840
2000	950	3325	9430	3250	12260	3385	15100



All the components can be substituted with equivalent or higher-class materials.

DAVINCI VALVES LTD, is constantly looking at all ways of improving our products and services related to the water, fire and industry sector and therefore we reserve the right to change, without prior notice, any of the data contained here. Please contact our Technical Sales Department for detailed advice.
© 2018 DAVINCI VALVES LTD.

"For professionals who wants more"



DAVINCI
VALVES™