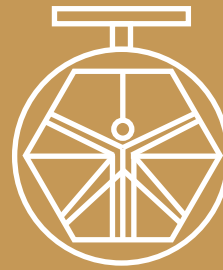


**GROUP 200  
GATE VALVES  
MOD. 201A/20**



**DAVINCI  
VALVES™**

**TECHNICAL  
DATA SHEET**

**FIRE Series**

**SYSTEM UL/FM  
RISING STEM FLANGED ENDS**

**DAVINCI  
VALVES™**



**QUALITY  
ASSUREMENT**

**DAVINCI  
VALVES™**



**PRODUCT QT  
ASSUREMENT**

**DAVINCI  
VALVES™**



**COMPANY QT  
ASSUREMENT**

[www.davincivalves.com](http://www.davincivalves.com)

18 Dongyu Street, Square One,  
11th Floor 1101, Jinjiang District,  
Chengdu, Sichuan CHINA

10F/Tower A, Billion Center,  
1 Wang Kwong Road, Kowloon Bay  
Kowloon HONG KONG

## RESILIENT SEAT GATE VALVE RISING STEM FLANGED END 200PSI UL/FM FIRE SYSTEMS Ref.201A / 200PSI

### WORKING CONDITIONS:

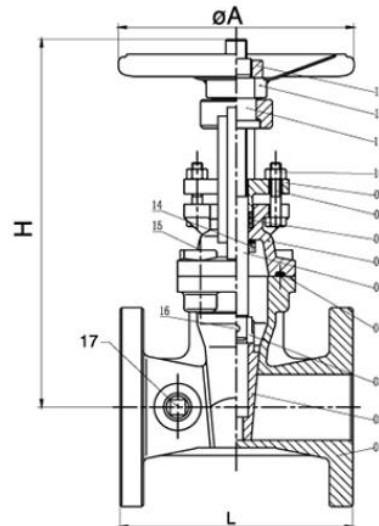
Pressure Ratings: 200PSI  
Working Temperature: -10C +80°C  
Suitable Media: Water  
Consult for other applications

### STANDARDS:

Design: AWWA515  
Flange standard: ASME/ANSIB16.1 Class 125 or ASME/ANSI B16.42 Class 150 or BS EN1092-2 PN16 or GB/T9113.1  
Pressure Test: EN 12266-1 Rate A.  
EU directive 2014/68/EU

### GENERAL CHARACTERISTICS:

Range from ND50 up to ND300. Full bore.  
100% Tightness in both ways.  
Minimum head loss. Low torque values.  
Epoxy FBE 250 microns/Coating upon request  
Approvals FM, UL, CUL, NSF, ANSI 61 & NSF,  
ANSI372



ITEM	2"	2-1/2"	3"	4"	5"	6"	8"	10"	12"
L	178	190	203	229	254	267	292	330	356
H	313	340	387	440	546	607	786	946	1110
øA	180	200	220	250	280	300	350	406	406

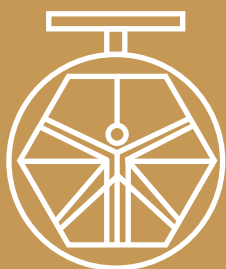
ITEM	PART	MATERIAL	ITEM	PART	MATERIAL	ITEM	PART	MATERIAL
1	Body	DI GJS450	7	Sealing Kits	Graphite	13	Lock Nut	Steel
2	Disc	DI GJS450 + EPDM	8	Bolts	Steel	14	Flat Key	S,Steel 416
3	Connecting part	ASTM B148	9	Platen	DI GJS450	15	Countersunk Head Bolt	Steel
4	Sealing Pad	EPDM	10	Bnut	Steel	16	Cylinder Pin	Steel
5	Stem	AISI304	11	Rotating Nut	C95400	17	Plug	C95400
6	Cap	GJS450	12	Handwheel	Steel			

All the components can be substituted with equivalent or higher-class materials.

DAVINCI VALVES LTD, is constantly looking at all ways of improving our products and services related to the water, fire and industry sector and therefore we reserve the right to change, without prior notice, any of the data contained here. Please contact our Technical Sales Department for detailed advice.  
© 2018 DAVINCI VALVES LTD.

www.davincivalves.com info@davincivalves.com +34 616553797 / +86 17340168233  
18 Dongyu Street, Square One 11th Floor 1101. Jinjiang District, Chengdu, Sichuan Province, China

*"For professionals who wants more"*



DAVINCI  
VALVES™